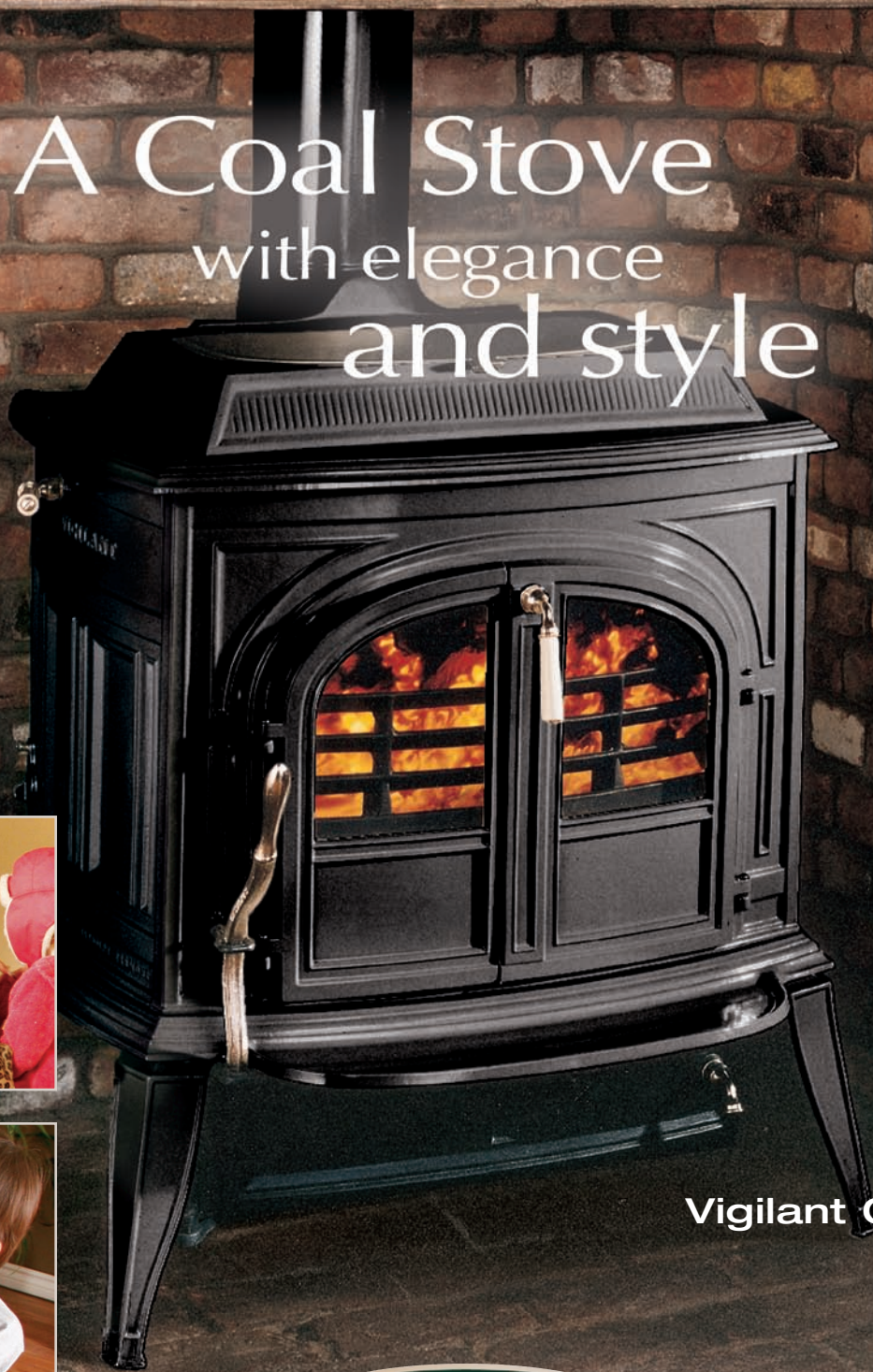


Heritage
Design

Beauty

A Coal Stove
with elegance
and style



Vigilant Coal Stove



Strength

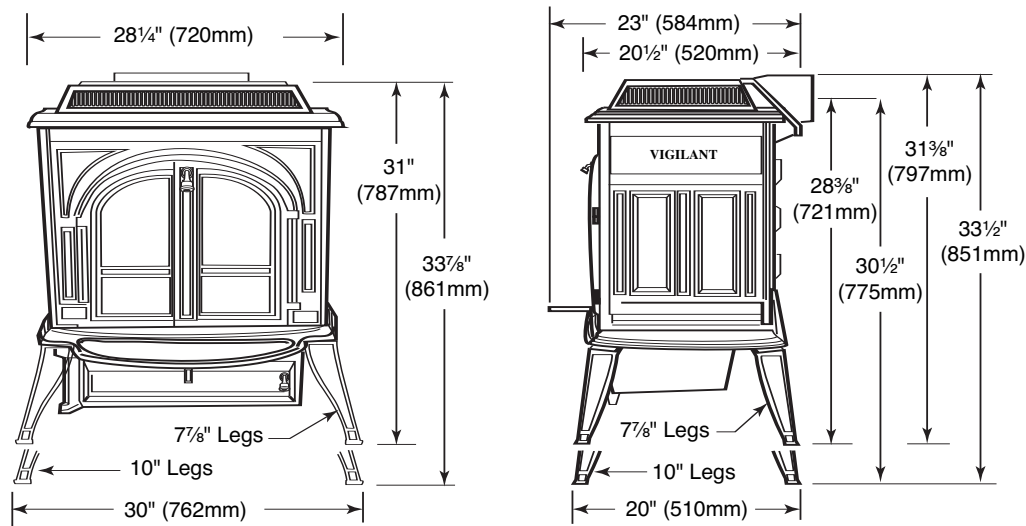
Heart of your home

Performance

Enjoy the Warmth and Comfort of Coal.

For steady, low maintenance, high-output heat, nothing compares to a coal stove by Vermont Castings. We've created a stove that can heat up to 2,000 square feet for up to 18 hours on a single load. There's even an automatic thermostat to ensure steady heat flow to your home. Classic style and modern convenience – a Vermont Castings exclusive.

Coal Stove • Vigilant



¹This value can vary depending on how the unit is operated, and the type and moisture content of the fuel used. Figure shown is based on maximum fuel consumption obtained under laboratory conditions and on average efficiencies.

²These values are based on operation in building code-conforming homes under typical winter climate conditions in New England. If your home is of non-standard construction (e.g., usually well-insulated, not insulated, built underground, etc.) or if you live in a more severe or more temperate climate, these figures may not apply. Since so many variables affect performance, consult your Vermont Castings™ Authorized Dealer to determine realistic expectations for your home.

Features and Benefits

Standard Features:

- "Whole house" heater - up to 2,000 sq. ft.
- Clean and convenient top loading
- Special "shaker" grate system for easy operation
- Large swing-out ash pan on the cover
- Automatic thermostat for steady heat
- Durable cast-iron construction
- Up to 18 hours on a single load of anthracite

- For burning coal only. No other solid fuel should be used (except for starting the fire)
- Available in Classic Black only

Optional Features:

- Warming shelves
- Clearance reducing heat shields
- Height reducing short legs
- Outside air adaptor

Specifications:

- Coal type - Anthracite or bituminous (Class B)
- Coal size - Pea or nut (Anthracite)
- Maximum heat output - 50,000 Btu's/hr¹
- Maximum area heated - 2,000 ft.²
- Fuel capacity - 45 lbs. (20 kg)
- Fuel loading - top
- Glass panel - Hi-temperature ceramic
- Weight - 425 lbs. (212 kg)
- Flue exit position - Top or rear
- Flue exit size - 6" Round Standard
8" Oval Optional



YOUR DEALER