

PLEASE READ THIS MANUAL BEFORE INSTALLING AND USING APPLIANCE.

IMPORTANT: Read all instructions and warnings carefully before starting installation. Failure to follow these instructions may result in a possible fire hazard and will void the warranty.

WARNING: If the information in this manual is not followed exactly, a fire or explosion may result causing property damage, personal injury or loss of life.

FOR YOUR SAFETY

Installation and service must be performed by a qualified installer, service agency, or the gas supplier. Do not store or use gasoline or other flammable vapors and liquids in the vicinity of this or any other appliance.

FOR YOUR SAFETY

If you smell gas:

1. Do not touch electrical switches.
2. Do not try to light any appliance.
3. Do not use the phone in your building.
4. Immediately call your gas supplier from a neighbor's phone.
5. Follow your gas supplier's instructions.
6. If you cannot reach your gas supplier, call the fire department.

This is an unvented gas-fired heater. It uses air (oxygen) from the room in which it is installed. Provisions for adequate combustion and ventilation air must be provided.

MAJESTIC **VERMONT** *Castings*

Unvented Freestanding Model

RFSUV34

Installation and Homeowners Operating Instructions



**INSTALLER: DO NOT DISCARD THIS MANUAL
Leave for homeowner.**

**The Vermont Castings
Majestic Products Company**

410 Admiral Blvd., Mississauga
Ontario, Canada L5T 2N1

www.majesticproducts.com / www.vermontcastings.com

TABLE OF CONTENTS

General Information	3
Dimensions and Framing	4
Safety Devices	5
Clearances to Combustibles	5
Gas Supply Pressure	5
Gas Specifications	5
Installation	6
Operating Instructions	8
Lighting & Operating Instructions	9
Troubleshooting - Honeywell	10
Maintenance	11
Accessories	12
Replacement Parts Pictorial	13
Replacement Parts List	14

GENERAL INFORMATION

Design-certified to ANSI Z21.11.2b 1998. Gas-Fired Room Heaters — Vol. II, Unvented Room Heaters.

This gas room heater should be installed by a qualified installer in accordance with local building codes and with current National Fuel Gas Code. ANSI Z223.1.

"This heater shall not be installed in a confined space or unusually tight construction unless provisions are provided for adequate combustion and ventilation air".

"The *National Fuel Gas Code*, ANSI Z233.1 defines a confined space as a space whose volume is less than 50 cubic feet per 1,000 Btu per hour (4.8m³ per kw) of the aggregate input rating of all appliances installed in that space and an unconfined space as a space whose volume is not less than 50 cubic feet per 1,000 Btu per hour (4.8 m³ per kw) of the aggregate input rating of all appliances installed in that space. Rooms communicating directly with the space in which the appliances are installed, through openings not furnished with doors, are considered a part of the unconfined space.

WARNING: If the area in which the heater may be operated is smaller than that defined as an unconfined space or if the building is of unusually tight construction, provide adequate combustion and ventilation air by one of the methods, described in the National Fuel Gas Code, ANSI Z 223.1, Section 5.3 or applicable local codes."

Unusually tight construction is defined as construction where:

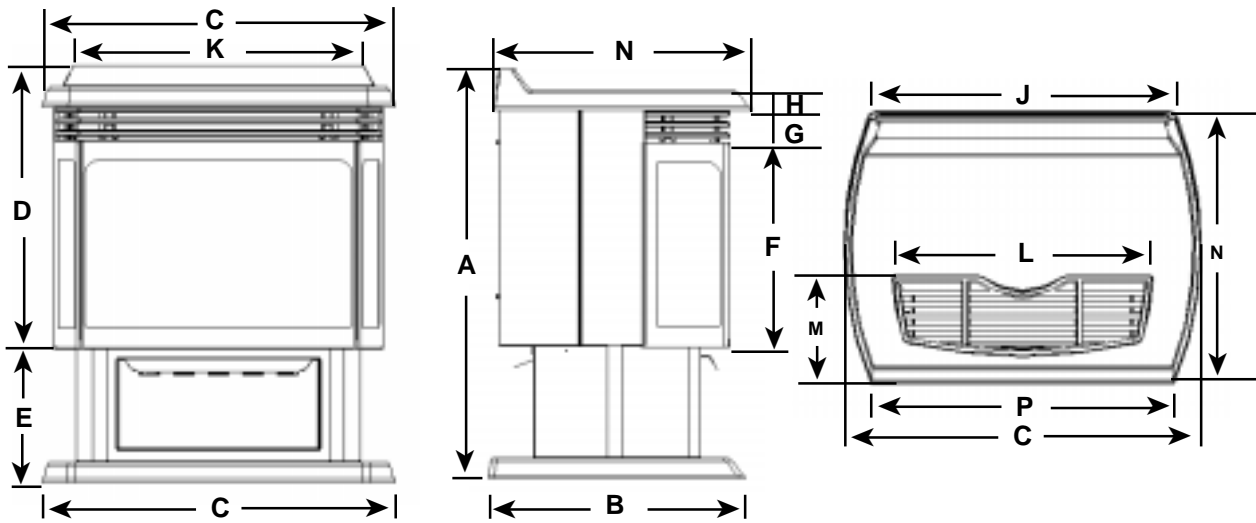
- a) Walls and ceilings exposed to the outside atmosphere have a continuous water vapor retarder with a rating of 1 perm (6 x 10⁻¹¹ kg per pa-sec-m²)
- b) Weather stripping has been added on openable windows and doors, and
- c) Caulking or sealants are applied to areas such as joints around window and door frames,

between sole plates and floors, between wall-ceiling joints, between wall panels, at penetrations for plumbing, electrical, and gas lines, and at other openings.

FOR SAFE INSTALLATION AND OPERATION OF YOUR PYROMASTER VENT-FREE ROOM HEATER PLEASE NOTE THE FOLLOWING:

1. This heater gives off high temperatures and should be located out of high traffic areas and away from furniture and draperies.
2. Children and adults should be alerted to the hazards of the high surface temperatures of this heater and should stay away to avoid burns or ignition of clothing.
3. Children should be carefully supervised when they are in the same room as your heater.
4. Under no circumstances should this heater be modified. Parts removed for service should be replaced prior to operating this heater again.
5. Installation and any repairs to this heater should be carried out by a qualified service person. A professional service person should be contacted to inspect this heater annually. Make it a practice to have all of your gas heaters checked annually. More frequent cleaning may be required due to excess lint and dust from carpeting, bedding material, etc.
6. Control compartments, burners and air passages in this heater should be kept clean and free of dust and lint. Make sure that the gas valve and pilot light are turned off before you attempt to clean this unit.
7. Under no circumstances should any solid fuels (wood, coal, paper or cardboard, etc.) be used in this heater.
8. Keep the area around your heater clear of combustible materials, gasoline and other flammable vapor and liquids. This heater should not be used as a drying rack for clothing, nor should Christmas stockings or decorations be hung in the area of it.
9. Whether the heater is installed directly on carpeting, vinyl tile or any combustible material other than wood, this heater must be installed on a metal or wood panel extending the full width and depth of the heater.
10. Do not install heater in bedroom or bathroom.

RFSUV34 Dimensions



Model RFSUV34		
A	31 1/2"	800mm
B	19 5/8"	498mm
C	26 1/8"	664mm
D	21 1/2"	546mm
E	10"	254mm
F	18 3/4"	476mm
G	3"	76mm
H	1 1/2"	38mm
J	22 1/4"	565mm
K	20 5/8"	524mm
L	19 3/18"	487mm
M	7 3/4"	197mm
N	19 1/2"	495mm
P	22 1/4"	565mm

SAFETY DEVICES

Adequate combustion and ventilation air must be provided. The flow of combustion and ventilation air **MUST NOT** be obstructed.

Provide adequate clearances around the air opening into the combustion chamber and adequate accessibility clearance for servicing and proper operation. **NEVER** obstruct any opening of the heater.

This heater is equipped with a pilot system featuring an Oxygen Depletion Sensor (O.D.S.) shut-off device. All unvented heaters are required to have this system. The O.D.S. pilot will shut down the heater when there is no provision for adequate combustion air.

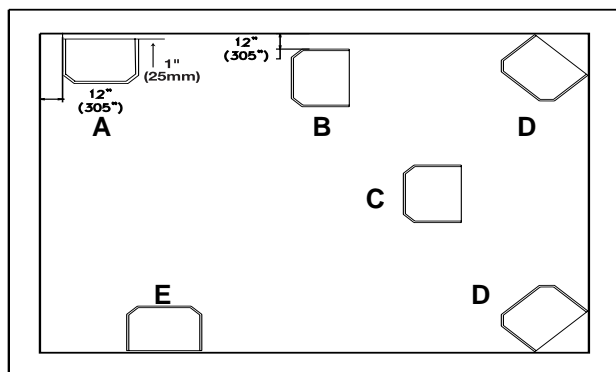
Report any parts damaged in shipment to your dealer.

CLEARANCE TO COMBUSTIBLES

Adequate clearances as listed below must be maintained for servicing and proper operation:

Leave at least 36" clearance from front of heater to combustibles.

*Side	12"
Combustible Floor.....	0"
Top	36"
Back	1"
Corner.....	0" to Back Edges



- A) *Flat on wall corner
- B) *Room divider
- C) Island
- D) Cross corner
- E) Flat on wall

* A & B must maintain a 12"(305mm) clearance between the wall and side of window frame of fireplace.

GAS SUPPLY PRESSURES

This heater must be isolated from the gas supply piping system by closing its individual manual shut-off valve during any pressure equal to or less than 1/2 psig (3.45 kPa).

The heater and its individual shut-off valve must be disconnected from the gas supply piping system during any pressure testing of that system at test pressures in excess of 1/2 psig (3.45 kPa).

	NATURAL	LP
Inlet Minimum	4.5" W.C.	11" W.C.
Inlet Maximum	10.5" W.C.	13" W.C.
Input Adjustment	7.0" W.C.	11" W.C.
Manifold Pressure	3.5" W.C.	10" W.C.

Table 1. Gas supply pressures.

The installation of your Fireplace must conform with local codes, or in the absence of local codes, with National Fuel Gas Code, ANSI Z223.1 latest edition.

(EXCEPTION: Do not derate this appliance for elevations up to 4,500 ft. (1,370m). Maintain the manifold pressure at 3.5" W.C. for Natural Gas and 10" W.C. for LP gas)

GAS SPECIFICATIONS

Model	Fuel	Gas Control	Max. Input B.T.U.H.	Min. Input B.T.U.H.
RFSUV34RN	Natural	Millivolt Hi/Lo	30,000	21,000
RFSUV34RP	Propane	Millivolt Hi/Lo	30,000	22,550

Table 2 Gas specifications.

INSTALLATION

To be sure that each step of the heater installation is completed in order, use the check-off boxes provided.


1. LOCATE THE HEATER

2. RUN GAS LINE FROM ITS SOURCE TO THE HEATER

If gas piping from the source to the heater location has not been accomplished, install the required pipe. Consult local plumbing code to assure proper pipe size.

The gas pipeline to be brought in through the rear or the base of the heater.

NOTE: The gas line connection can be made with properly tinned 3/8" copper tubing, 1/2" rigid pipe or an approved flex connector, then reduced to 3/8" to the heater. Because some municipalities have some additional local codes, it is always best to consult your local authority. Consult the current National Fuel Gas Code, ANSI Z223.1

 Always check for gas leaks with a mild soap and water solution. **Do not use an open flame for leak testing.**

The gas control is equipped with a captured screw type pressure test point, therefore it is not necessary to provide a 1/8" test point up stream of the control.

When using copper or flex connector use only approved fittings. **Always provide a union** when using back iron pipe so that gas line can be easily disconnected for burner or fan servicing. See gas specification for pressure details and ratings. **NOTE:** If flex connector is used, it must be kept inside of the heater. See Figure 1.

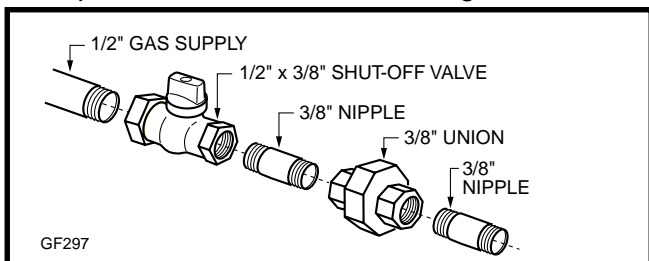


Fig. 1. Typical gas supply installation.

3. OPTIONAL FAN KIT FK24



WHEN INSTALLED, THE HEATER MUST BE ELECTRICALLY CONNECTED AND GROUNDED IN ACCORDANCE WITH LOCAL CODES OR, IN THE ABSENCE OF LOCAL CODES WITH THE NATIONAL ANSI/NFPA NO. 70.

NOTE: 110/120 electric power is required to operate blower (fan).

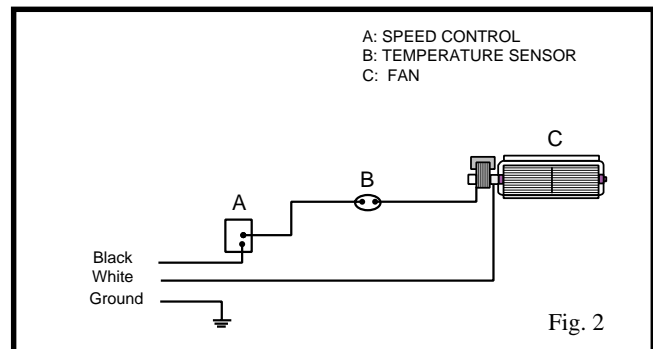
Be sure to leave sufficient excess wire in case minor adjustments are required.



Any electrical re-wiring of this fan must be done by a qualified electrician.



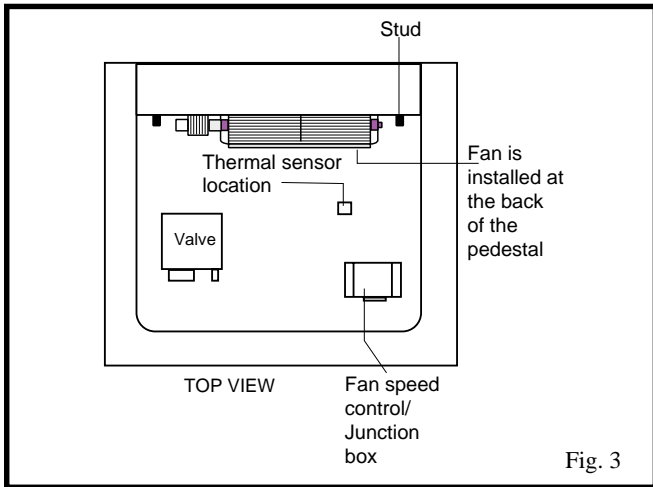
Turn off all power before hook-up.



It will be easier to install the fan before connecting the gas line to the fireplace.

1. Open front access door panel by pulling forward on handle.
2. Fig. 3. Install the fan through the opening at the back of the pedestal, with the outlet pointed up and the fan mounting bracket facing the back of the fireplace. The fan mounts over two studs which hold the fan just below the firebox floor. Hold the fan in place with the two nuts provided.
3. Locate the fan speed control/junction box on screw studs provided on base of the fireplace. Tighten with nuts.
4. Install thermal sensor element on screw studs located to the right of the gas valve on the burner base.
5. Plug in grounded service cord to a convenient

wall receptacle.



4. SLIDE THE HEATER IN PLACE

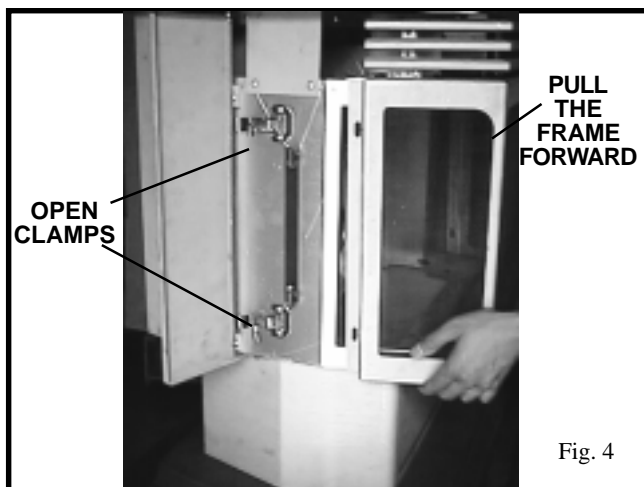
With the fan installed, gently slide or lift the heater to the desired location.

5. LEVEL AND SECURE THE HEATER

Make sure heater is level. Shimming may be required.

6. WINDOW FRAME REMOVAL (Fig. 4)

1. Shut off gas. (See Lighting Instructions)
2. Let the unit cool if it has been operating.
3. Open two side doors.
4. Open the clamps on two sides.
5. Pull the frame forward.
6. To reinstall window frame follow the above procedure in reverse.



7. LOG INSTALLATION (Fig. 5)

1. Remove window frame. (See "Window Frame" section)
2. Remove logs from packaging.



As with all plastic - these are not toys and should be kept away from children and infants.

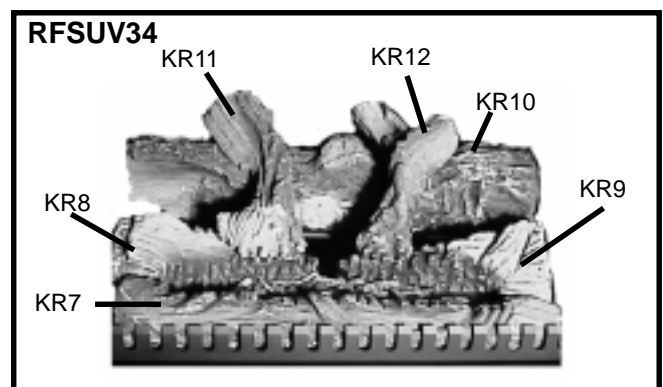
3. Place rear log (KR10) on rear bracket (ensure log is seated properly, leveled and centered to the unit), so it will not move from side to side and it is firmly positioned on the bracket.
4. Slip front ember log (KR7) down behind the front deflector.
5. Place front left log (KR8) on top of burner, left side. Use log's bottom holes to locate it into the left bracket log locator studs.
6. Place front right log (KR9) on top of burner, right side. Use log's bottom holes to locate it into the right bracket log locator studs.
7. Place burner lava rock on top of burner. (See next section and picture for proper location)
8. Place top left log (KR11) onto locator notches. Ensure log is secure.
9. Place top right log (KR12) onto locator notches. Ensure log is secure.

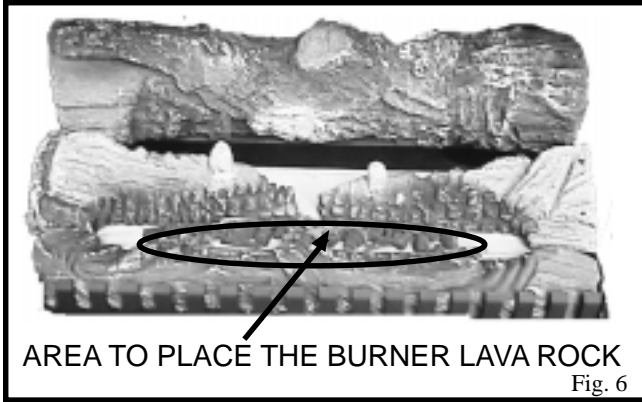
8. BURNER LAVA ROCK PLACEMENT

Open the lava rock bag and place the contents according to Figure 6. First place the small lava rock, then the skinnier and long sticks.



No lava rock is to be placed on the rear section of the burner.



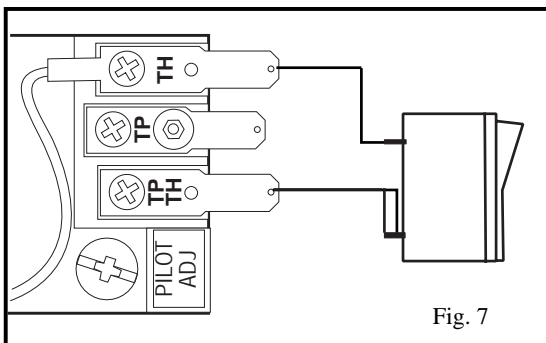


OPERATING INSTRUCTIONS

FIRST FIRING

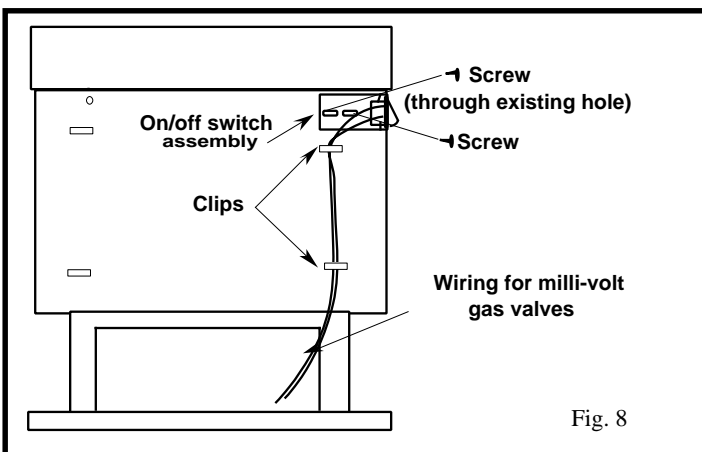
Upon completing your gas line connection, a small amount of air will be in the lines. When first lighting unit with pilot light, it will take a few minutes to purge this air. Once the purging is complete, the pilot and burner will light and operate as indicated in the instruction manual. Subsequent lightings of the heater will not require such purging.

9. REMOTE SWITCH



Install on/off switch assembly on either the rear right or left side of the fireplace cabinet.

1. Position switch assembly onto the back of the fireplace, then fasten two screws as shown in Fig. 8.
2. Attach wiring under the clips on the rear casing (Fig. 8) and install wiring through the rear opening of the fireplace before connecting to the valve as shown in Fig. 7.



IMPORTANT:

PLEASE REVIEW THE FOLLOWING CAREFULLY

It is normal for fireplaces fabricated of steel to give off some expansion and/or contraction noises during the start up or cool down cycle. Similar noises are found with your furnace heat exchanger or car engine.

It is not unusual for your *Majestic* gas fireplace to give off some odor the first time it is burned. This is due to the curing of the paint and any undetected oil from the manufacturing process.

Please ensure that your room is well ventilated - open all windows.

It is recommended that you burn your *Majestic* fireplace for a least six (6) hours the first time you use it. If optional fan kit has been installed, place fan in the "OFF" position during this time.

Flame impingement on logs may cause excessive carbon monoxide production resulting in sooting.

If the flame touches the logs, adjust logs slightly so that there is no obstruction.

LIGHTING AND OPERATING INSTRUCTIONS

FOR YOUR SAFETY READ BEFORE LIGHTING

WARNING: If you do not follow these instructions exactly, a fire or explosion may result causing property damage, personal injury or loss of life.

- A. This fireplace has a pilot which must be lit manually. When lighting the pilot follow these instructions exactly.
 - B. BEFORE LIGHTING smell all around the fireplace area for gas. Be sure to smell next to the floor because some gas is heavier than air and will settle on the floor.
 - C. Use only your hand to push in or turn the gas control knob. Never use tools. If the knob will not push in or turn by hand, do not try to repair it, call a qualified service technician. Applying force or any attempted repair may result in a fire or explosion.
 - D. Do not use this fireplace if any part has been under water. Immediately call a qualified service technician to inspect the fireplace and to replace any part of the control system and any gas control which has been under water.
- WHAT TO DO IF YOU SMELL GAS**
- Do not try to light any fireplace.
 - Do not touch any electric switch
 - Do not use any phone in your building
 - Immediately call your gas supplier from a neighbor's phone. Follow the gas supplier's instructions.
 - If you cannot reach your gas supplier, call the Fire Department

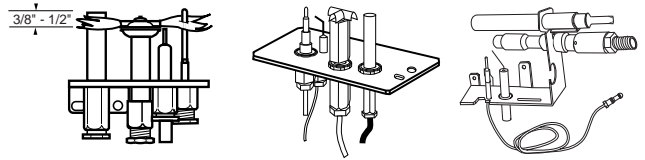
LIGHTING INSTRUCTIONS

1. STOP! Read the safety information above on this label
2. Turn off all electrical power to the fireplace.
3. For MN/MP/TN/TP appliances ONLY, go on to Step 4. For RN/RP appliances turn the On/Off switch to off position or set thermostat to lowest level.
4. Open control access panel.
5. Push in gas control knob slightly and turn clockwise to "OFF". Do not force.



6. Wait five (5) minutes to clear out any gas. Then smell for gas, including near the floor. If you smell gas, **STOP!** Follow "B" in the safety information above on this label. If you don't smell gas, go to the next step.
7. Remove glass door before lighting pilot. (See Glass Frame Removal in manual).
8. Visibly locate pilot by the main burner.
9. Turn knob on gas control counterclockwise to "PILOT".

10. Push the control knob all the way in and hold. Immediately light the pilot by repeatedly depressing the piezo spark ignitor until a flame appears. Continue to hold the control knob in for about one (1) minute after the pilot is lit. Release knob and it will pop back up. Pilot should remain lit. If it goes out, repeat steps 5 through 8.

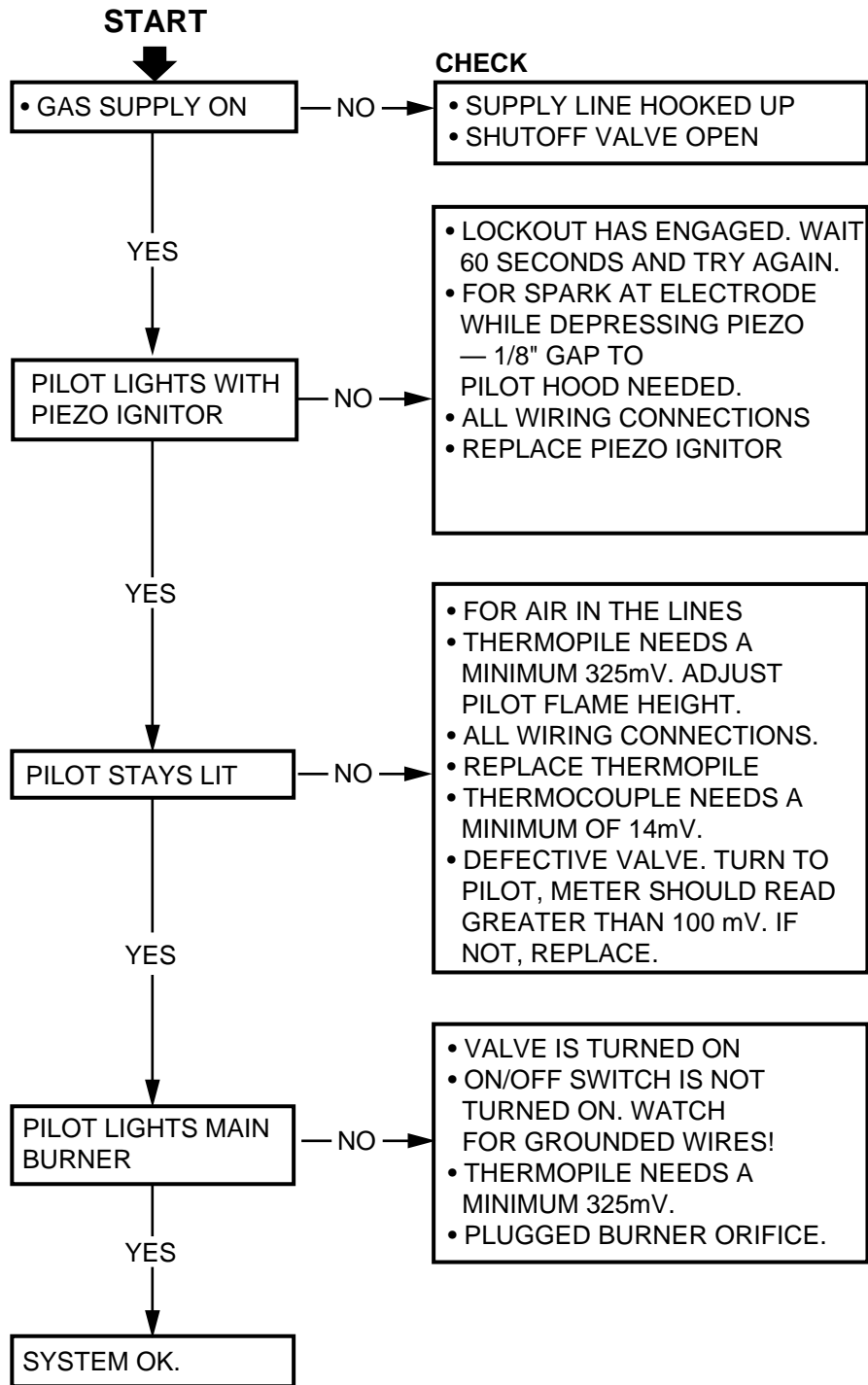


- If knob does not pop up when released, stop and immediately call your service technician or gas supplier.
 - If after several tries, the pilot will not stay lit, turn the gas control knob to "OFF" and call your service technician or gas supplier.
11. Replace glass door.
 12. Turn gas control knob to "On" position.
 13. For Rn/RP appliances turn the On/Off switch to "On" position or set thermostat to desired setting.
 14. Turn on all electrical power to the fireplace.

TO TURN OFF GAS TO FIREPLACE

1. Turn the On/Off switch to Off position or set the thermostat to lowest setting.
2. Turn off all electric power to the fireplace if service is to be performed.
3. Open control access panel.
4. Push in gas control knob slightly and turn clockwise to "OFF". Do not force.
5. Close control access panel.

TROUBLESHOOTING -



MAINTENANCE

Keep the control compartment, logs and burner area surrounding the logs clean by vacuuming or brushing at least twice a year. **THE LOGS CAN GET VERY HOT — HANDLE ONLY WHEN COOL.**

Always turn off gas to the pilot before cleaning. For relighting, refer to lighting and operating instruction.

PILOT CONTROL SYSTEM

The burner and control system consists of:

- main burner
- pilot burner
- gas orifice
- combination millivolt gas valve

Most of these components may require only an occasional checkup and cleaning and some may require adjustment. If repair is necessary, it should be performed by a qualified technician.

In order to properly clean the burner and pilot assembly, turn off the gas to the unit, remove the window frame panel and logs exposing the burner and pilot assembly. Clean all foreign materials from the top of the burner. Check to make sure that burner parts are clean. Visually inspect pilot. Brush or blow away any dust or lint accumulation. If pilot orifice is plugged, disassembly may be required to remove any foreign material from the orifice or tubing.

To obtain proper operation, it is imperative that the pilot and burner's flame characteristics are steady, not lifting or floating.

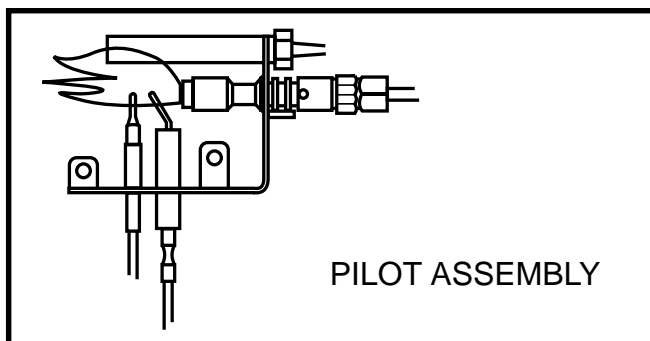


Fig. 9. Proper pilot flame height.

The air shutter is set at factory no adjustment should be necessary.



It is important to periodically perform a visual check of the pilot and the burner flames. See Figures 9 and 11.

FLAME ADJUSTMENT

For units equipped with Hi/Lo valves, flame adjustment is accomplished by rotating the Hi/Lo adjustment knob located near the center of the gas control. See Figure 10.

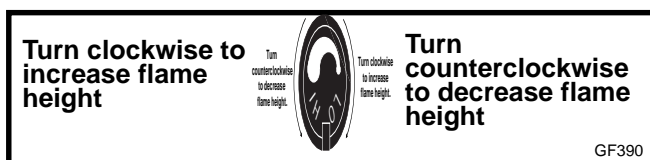


Fig. 10 Flame adjustment on gas valve (standing pilot only).

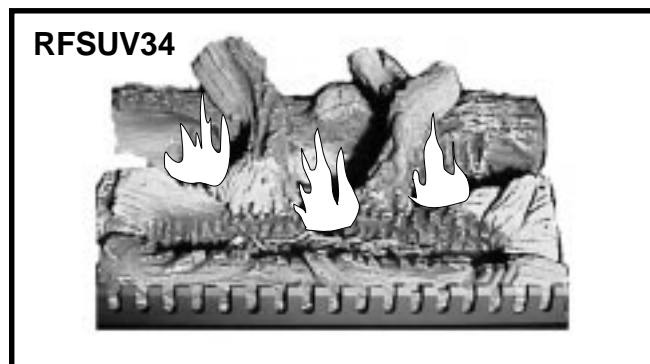


Fig. 11. Approximate flame heights

ACCESSORIES

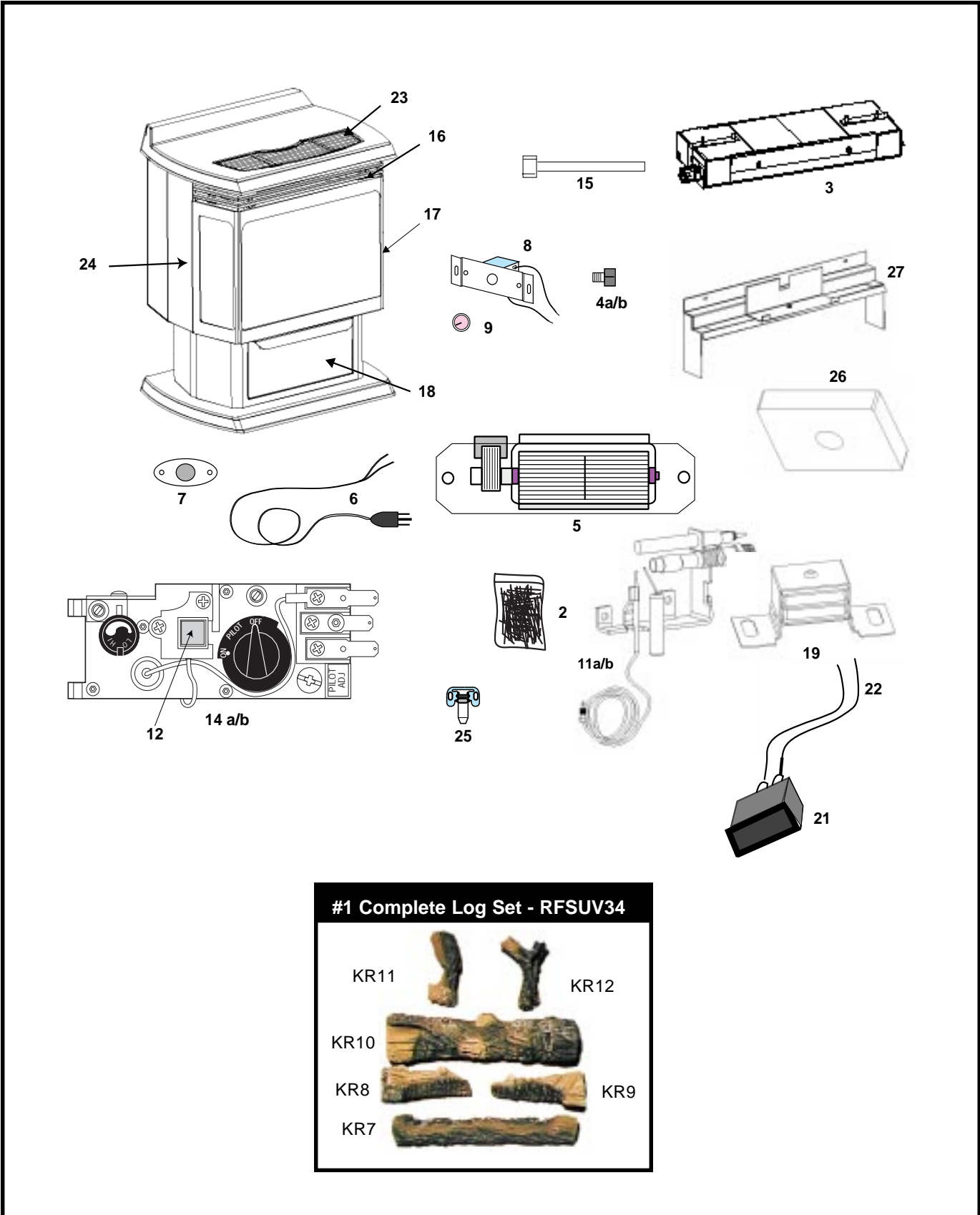
The following accessories for these heaters are available from your local dealer. Each accessory comes with a separate installation instruction for mounting to the particular heater. Be sure to read each instruction thoroughly before installing.

ACCESSORIES - RFSUV34

Accessory	Description	Model Number
Fan	Variable speed, heat-activated, kit	FK24
Remote Control	On/Off Button	MRC1
Remote Control	Temperature Control	MRC2
Remote Control	Temperature Control w/digital display and 24 hour programmable clock	MRC3
Remote Control	Wall mounted thermostat	IMT
Glass Door w/filter	Glass door and catalyst filter	RFSGDCFK

CAUTION: This heater is a highly engineered system, and, as such, must be operated only with Majestic approved components. If you use an unapproved component to make any modifications, you may create a possible fire hazard and will void the Majestic warranty. In addition, such action may void the coverage provided by the owner's insurance.

RFSUV REPLACEMENT PARTS



#1 Complete Log Set - RFSUV34

KR11		KR12	
KR10			
KR8		KR9	
KR7			

REPLACEMENT PARTS LIST

DESCRIPTION	RFSUV34
1 Log Set Complete	10001763
1a. Log Ember Front	KR7
1b. Log Front Left	KR8
1c. Log Front Right	KR9
1d. Log Rear	KR10
1e. Log Top Left	KR11
1f. Log Top Right	KR12
2. Lava Rock Burner (Package)	57897
3. Burner Housing Assembly w/tiles (Nat. & Prop.)	10001493
4a. Orifice Main Burner (Nat)	SEE RATING PLATE FOR ORIFICE SIZE
4b. Orifice Main Burner (Prop.)	SEE RATING PLATE FOR ORIFICE SIZE
5. Fan with bracket	54103
6. Electrical Cord (6ft)	51865
7. Fan Temperature Sensor	51704
8. Speed Control	57138
9. Speed Control Knob	51882
10. Pilot Tubing w/fittings (Not Shown)	10000150
11a. Pilot mV ODS Assembly (Nat.)	55464
11b. Pilot mV ODS Assembly (Prop.)	10001647
12. Ignitor Piezzo	20000062
13. Cable Ignitor (Not Shown)	20000101
14a. Valve Honeywell RN (Nat)	10000235
14b. Valve Honeywell RP (Prop)	10000242
15. Manifold Tubing w/fittings	57318
16. Top Louvre Assembly	10001370
17. Frame Window Assembly w/screen	10001751
18. Control Door Assembly	10001790
19. Catch Control Door	10001743
20. Remote Switch Kit (Not Shown)	53858
21. Remote Switch	53606
22. Remote Switch Wiring Harness	57265
23. Grill Cabinet Top	10001791
24. Door Cabinet Side	10001792
25. Clamp	10000949
26. Magnet (Ceramic)	10001705
27. Rear Log Support (Assembly)	10001680

MAJESTIC
VERMONT
Castings

The Vermont Castings
Majestic Products Company

410 Admiral Blvd. • Mississauga, Ontario, Canada L5T 2N6 • 905-670-7777
www.majesticproducts.com • www.vermontcastings.com